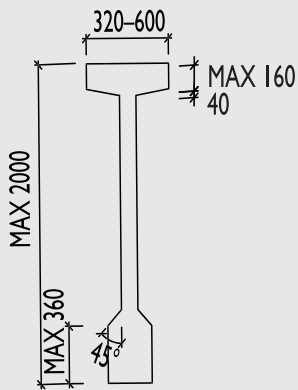
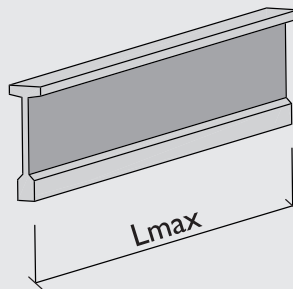


I-shaped straining beams

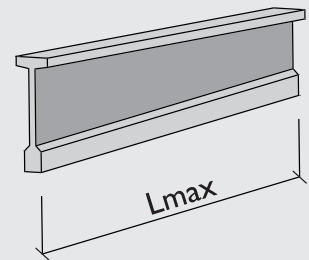
BASIC CROSS-SECTION I



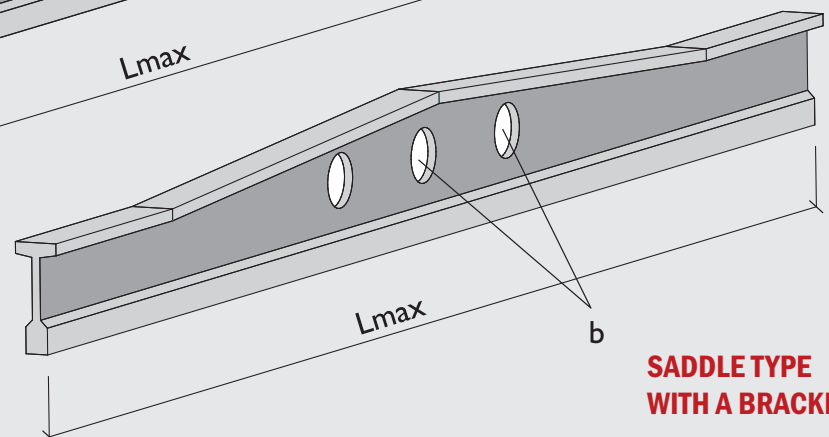
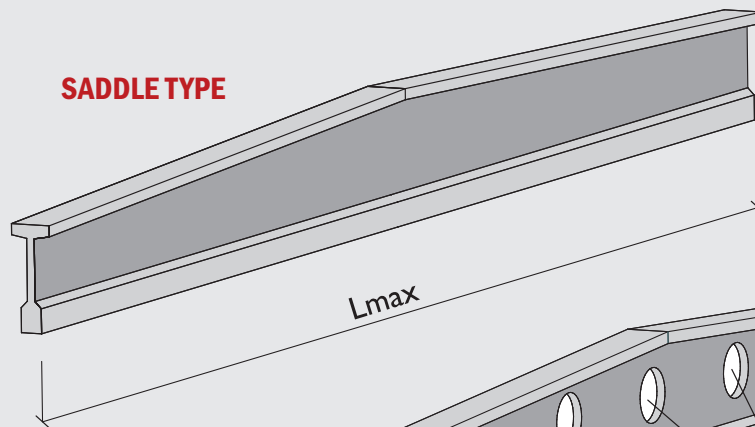
PARALLEL TYPE



SINGLE PITCH TYPE



SADDLE TYPE



SADDLE TYPE WITH A BRACKET

SELECTED PARAMETERS

The roof straining beams are suitable for roofing of hall structures. The roof structures can be designed with or without purlins.

Dimensions

$L_{max} = 33\,000$ mm

b - openings and their locations are subject to static verification

Concrete

C 30/37-C 45/55

Max. weight

33 tons

Surface finish

smooth

Edge chamfering

10/10 mm

Anchoring elements

on agreement with the manufacturer

Shape and dimensional design

with regard to the required functional characteristics and on the basis of a static evaluation with the manufacturer's approval; the roof straining beams may be pre-cambered

Assembly brackets

on agreement with the manufacturer

VCES a.s., PREFA Division

VSD Pohřebáčka, 533 45 Opatovice nad Labem,
phone: +420 460 463 110, fax: +420 256 056 100, e-mail: prefa@vces.cz



A BOUYGUES CONSTRUCTION COMPANY