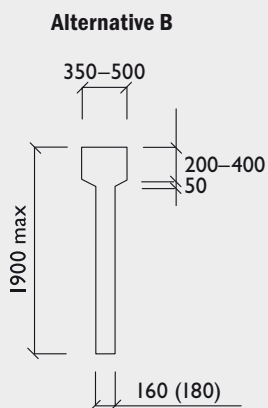
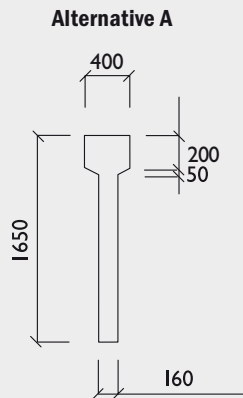
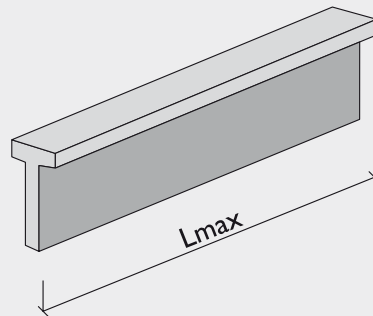


# T-shaped straining beams

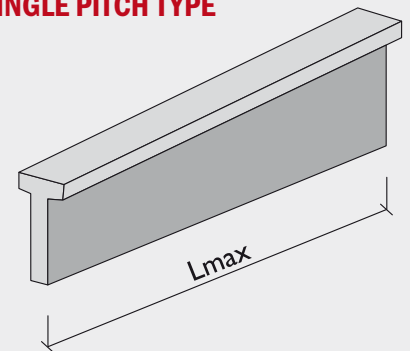
## BASIC T CROSS-SECTION



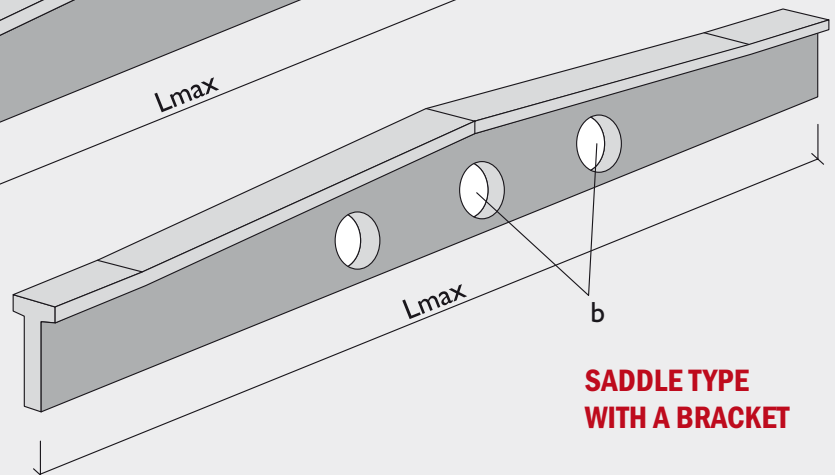
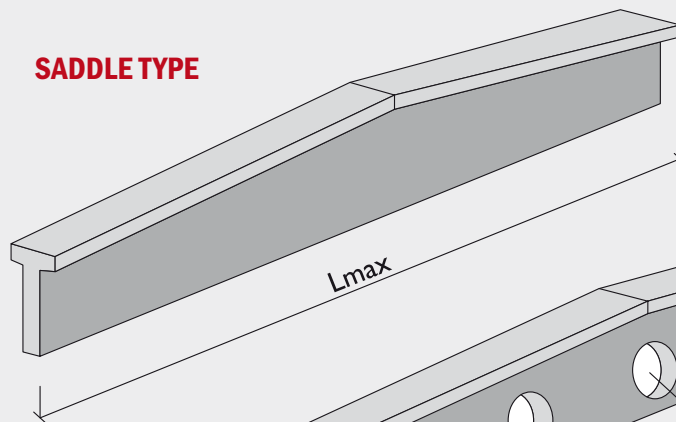
## PARALLEL TYPE



## SINGLE PITCH TYPE



## SADDLE TYPE



## SADDLE TYPE WITH A BRACKET

## SELECTED PARAMETERS

The roof straining beams are suitable for roofing of hall structures. The roof structures can be designed with or without purlins.

### Dimensions

$L_{max} = 30,000$  mm

$b$  - openings and their locations are subject to static verification

### Concrete

C 30/37-C 45/55

### Max. weight

27 tons

### Surface finish

smooth

### Edge chamfering

10/10 mm

### Anchoring elements

on agreement with the manufacturer

### Shape and dimensional design

with regard to the required functional characteristics and on the basis of a static evaluation with the manufacturer's approval; the roof straining beams may be pre-cambered

### Assembly brackets

on agreement with the manufacturer

## VCES a.s., PREFA Division

VSD Pohříbačka, 533 45 Opatovice nad Labem,  
phone: +420 466 944 013, fax: +420 466 941 205, e-mail: prefa@vces.cz



A BOUYGUES CONSTRUCTION COMPANY